

uPVC Sash Window – Installation Manual

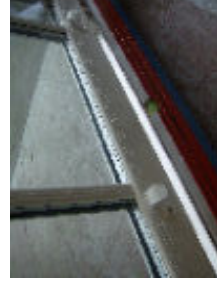
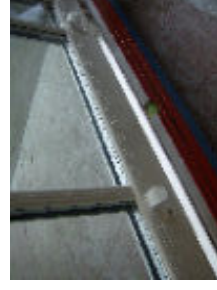
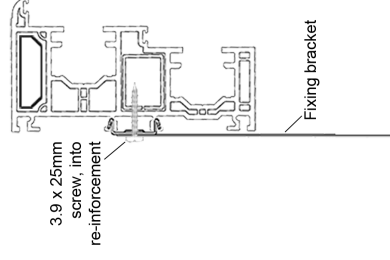
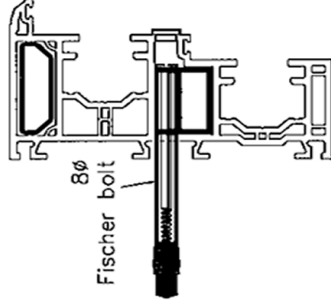
Important

- Any windows not installed by carefully employing either of the methods described below will not be covered by our guarantee.
- All banding and packers must remain in place during the installation process. Brush-pile gaps should be kept consistent and diagonals must be checked and correct after installation. Only then should banding and temporary packers be removed.
- Fixing to the centre jambs can only be achieved by bracket or foam fixing. **Never fix directly through the balance chamber.**



Through-frame Fixing

1. Ensure the frame is level vertically and fix through the frame a minimum of 150mm from the corner, and then at 300mm intervals. **Note: please ensure fixing is through the centre rebate of the frame, NEVER through the balance chamber.**
2. Fix through the lower frame by using the same method..
3. Finally, check horizontal level and fix through the frame head using the same method, 150mm from the corners and then at 300mm intervals.



Bracket Fixing (brackets can be supplied by Roseview with your windows)

1. Depending on the height of the window, fix fixing brackets into the external frame of the side jambs, 150mm from the corners and then at 300mm intervals.
2. Level the frame vertically and fix window in place. **Note: if bowing occurs the temporary packers will fall out.**
3. Brackets may also be used to fix the window at head and/or cill level. Make sure that vertical level, horizontal level and diagonals are correct before fixing.